



**1479—**  
**2013**

**ISO 1479:2011**  
**Hexagon head tapping screws**  
**(IDT)**



2015

1 « -  
» ( « ») -  
, 4 -  
2 229 « »  
3 8 2013 . 1456- . -  
4 1479:2011 «  
» (ISO 1479:2011 «Hexagon head tapping screws»). -  
1.5-2004 ( 3.5). -  
5 1.0—2012 ( 8).  
1 ) « ( », -  
». ( ) « -  
». , -  
(*gost.ru*)

1

ST2.2 ST9.5.

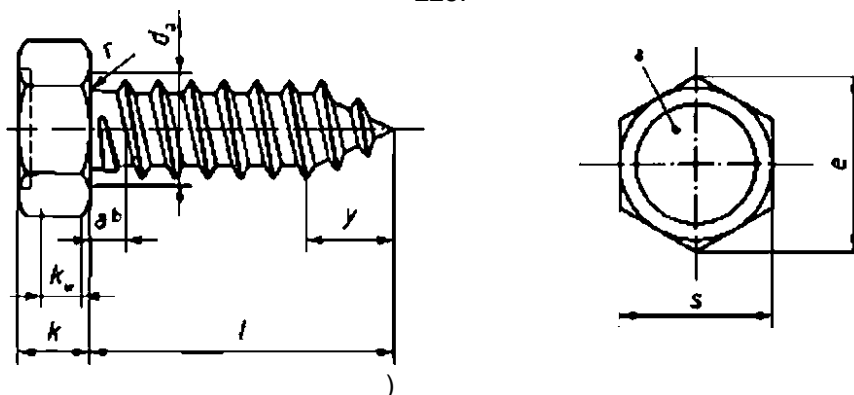
2

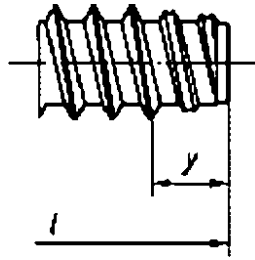
- ( )
- 225 (ISO 225, Fasteners — Bolts, screws, studs and nuts — Symbols and descriptions of dimensions)
- 1478 (ISO 1478, Tapping screws thread)
- 2702 (ISO 2702, Heat-treated steel tapping screws — Mechanical properties)
- 3269 (Fasteners — Acceptance inspection)
- 3506-4 (ISO 3269, Mechanical properties of corrosion-resistant stainless steel fasteners — Part 4: Tapping screws)
- 4042 (ISO 4042, Fasteners — Electroplated coatings)
- 4759-1 (ISO 4759-1, Tolerances for fasteners — Part 1: Bolts, screws, studs and nuts — Product grades A and C)
- 8992 (ISO 8992, Fasteners — General requirements for bolts, screws, studs and nuts)
- 10683 (ISO 10683, Fasteners — Non-electrolytically applied zinc flake coatings)
- 16048 (ISO 16048, Passivation of corrosion-resistant stainless-steel fasteners)

3

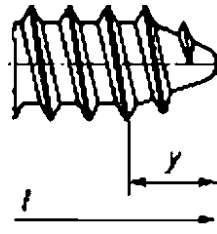
1

225.





) F



) R

		ST2.2	ST2.9	ST3.5	ST4.2	ST4.8	ST5.5	ST6.3	ST8	ST9.5
		0.8	1.1	1.3	1.4	1.6	1.8	1.8 <sup>Ⓢ</sup>	2.1	2.1
		0.8	1.1	1.3	1.4	1.6	1.8	1.8	2.1	2.1
		2.8	3.5	4.1	4.9	5.5	6.3	7.1	9.2	10.7
<b>S</b>		3.20	5.00	5.50	7.00	8.00	8.00	10.00	13.0 0	16.00
		3.02	4.82	5.32	6.78	7.78	7.78	9.78	12.7 3	15.73
		3.38	5.40	5.96	7.59	8.71	8.71	10.95	14.2 6	17.62
		1.6	2.3	2.6	3.0	3.8	4.1	4.7	6.0	7.5
		1.3	2.0	2.3	2.6	3.3	3.6	4.1	5.2	6.5
<b>kt.</b>		0.9	1.4	1.6	1.8	2.3	2.5	2.9	3.6	4.5
		.	0.10	0.10	0.20	0.20	0.25	0.25	0.40	0.40
		2.0	2.6	3.2	3.7	4.3	5.0	6.0	7.5	8.0
		1.6	2.1	2.5	2.8	3.2	3.6	3.6	4.2	4.2
	R	-	-	2.7	3.2	3.6	4.3	5.0	6.3	-

	R		F										
4.5	3.7	5.3	3.7	4.5	-	-	-	-	-	-	-	-	-
6.5	5.7	7.3	5.7	6.5			-	-	-	-	-	-	-
9.5	8.7	10,3	8.7	9.5						-	-	-	-
13	12,2	13,8	12,2	13,0									-
16	15,2	16,8	15,2	16,0									
19	18,2	19,8	18,2	19,0									
22	21,2	22,8	20,7	22,0									
25	24,2	25,8	23,7	25,0									
32	30,7	33,3	30,7	32,0									
38	36,7	39,3	36,7	38,0									
45	43,7	46,3	43,5	45,0									
50	48,7	51,3	48,5	50,0									
* -													
(-),													

		ST2.2	ST2.9	ST3.5	ST4.2	ST4.8	ST5.5	ST6.3	ST8	ST9.5
*		0.8	1.1	1.3	1.4	1.6	1.8	1.8	2,1	2.1
		0.8	1.1	1.3	1.4	1.6	1.8	1.8	2,1	2.1
<b>d*</b>		2.8	3.5	4.1	4,9	5.5	6.3	7.1	9.2	10,7
<b>S</b>		3,20	5,00	5,50	7,00	8,00	8,00	10,00	13.00	16,00
		3,02	4,82	5,32	6,78	7,78	7,78	9,78	12.73	15,73
		3,38	5,40	5,96	7,59	8,71	8,71	10,95	14.26	17,62
		1,6	2.3	2.6	3.0	3.8	4.1	4,7	6.0	7,5
		1.3	2.0	2.3	2.6	3.3	3,6	4,1	5,2	6,5
<b>k<sub>w</sub></b>		0.9	1.4	1.6	1.8	2.3	2.5	2.9	3.6	4.5
		0.10	0,10	0,10	0,20	0,20	0,25	0,25	0,40	0.40
		2.0	2.6	3.2	3.7	4.3	5.0	6.0	7.5	8.0
	F	1.6	2.1	2.5	2.8	3.2	3.6	3.6	4.2	4.2
	R	-	-	2.7	3.2	3.6	4.3	5.0	6.3	-

1*														
	R		F											
4.5	3.7	5.3	3.7	4.5		-	-	-	-	-	-	-	-	-
6.5	5.7	7.3	5.7	6.5				-	-	-	-	-	-	-
9.5	8.7	10.3	6.7	9.5						-	-	-	-	-
13	12.2	13.8	12,2	13.0										-
16	15.2	16.8	15.2	16.0										
19	18.2	19.8	18.2	19.0										
22	21.2	22,8	20,7	22.0										
25	24.2	25.8	23.7	25.0										
32	30.7	33.3	30,7	32.0										
38	36.7	39.3	36.7	38,0										
45	43.7	46,3	43,5	45.0										
50	48.7	51.3	48.5	50,0										

\* -

(-).

8

1 -

		ST2.2	ST2.9	ST3.5	ST4.2	ST4.8	ST5.5	ST6.3	ST8	ST9.5
*		0.8	1.1	1.3	1.4	1.6	1.8	1.8	2.1	2.1
		0.8	1.1	v	1.4	1.6	1.8	1.8	2.1	2.1
		2.8	3.5	4.1	4.9	5.5	6.3	7.1	9.2	10.7
S		3.20	5.00	5.50	7.00	6.00	8.00	10.00	13.00	16.00
		3,02	4.82	5.32	6.78	7.78	7.78	9.78	12.73	15,73
		3.38	5.40	5.96	7.59	8.71	8.71	10,95	14.26	17.62
		1.6	2.3	2.6	3.0	3,8	4.1	4.7	6,0	7.5
		1.3	2.0	2.3	2,6	3.3	3.6	4.1	5,2	6.5
.		0.9	1.4	1.6	1.8	2.3	2.5	2.9	3.6	4.5
		0.10	.	.	0,20	0.20	0.25	0,25	0,40	0.40
		2.0	2.6	3.2	3.7	4.3	5.0	6.0	7.5	8.0
	F	1.6	2.1	2.5	2.8	3.2	3.6	3.6	4.2	4.2
	R	-	-	2.7	3.2	3,6	4.3	5.0	6.3	-
	R		F							
4.5	3.7	5.3	3.7	4.5		-	-	-	-	-
6.5	5.7	7.3	5,7	6,5			-	-	-	-
9.5	8.7	10,3	8,7	9.5				-	-	-
13	12.2	13,8	12.2	13,0						-
16	15.2	16.8	15.2	16.0						
19	18,2	19.8	18.2	19.0						
22	21.2	22.8	20.7	22,0						
25	24,2	25.8	23.7	25.0						
32	30,7	33.3	30.7	32.0						
38	36,7	39,3	36,7	38,0						
45	43.7	46.3	43,5	45.0						
50	48,7	51.3	48.5	50,0						

• -  
6

(-),







621.882.14:006.35

21.060.10

16 4000

:

,

27.03.2015. 60x84%  
. . .1,40. 31 . . 1468.  
,  
« »  
123995 , ., 4.  
www.gostinfo.ru info@gostinfo.ru